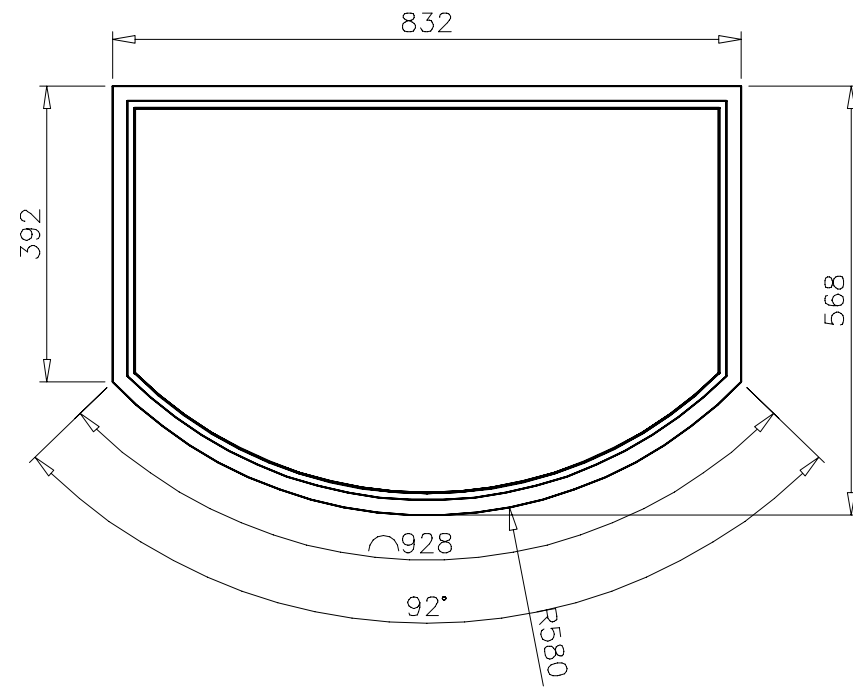
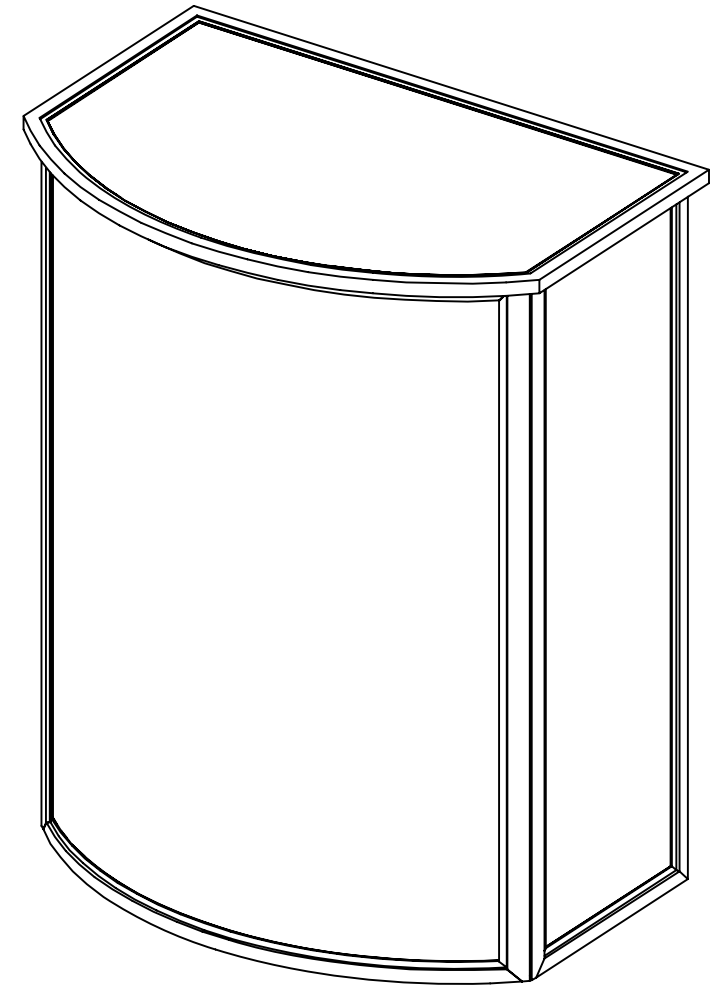


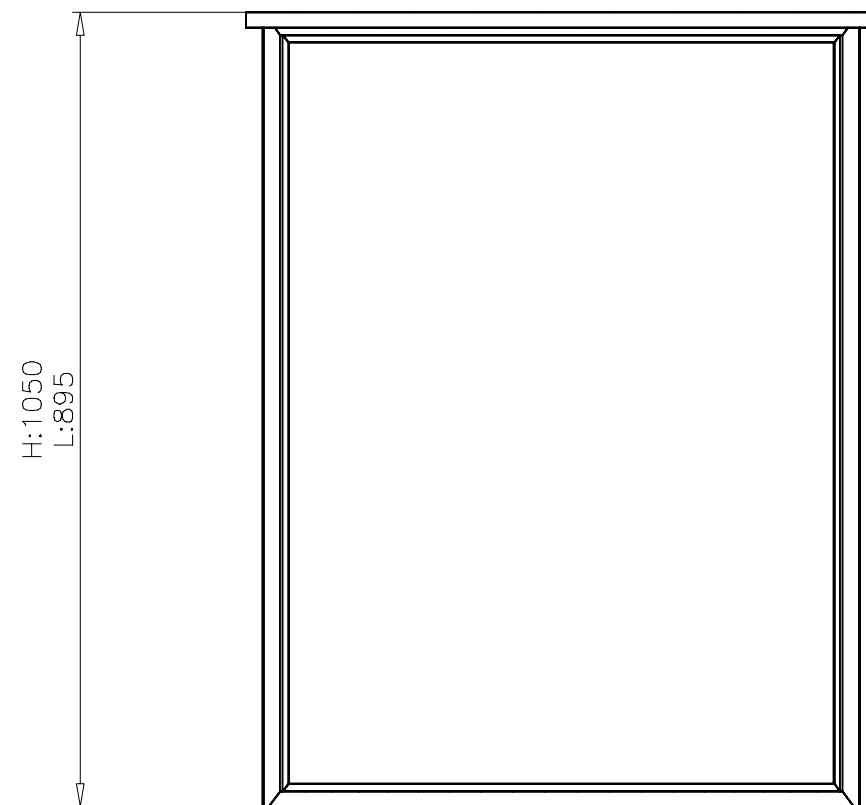
Plan 1:10



Isometric



elevation



Rearview

