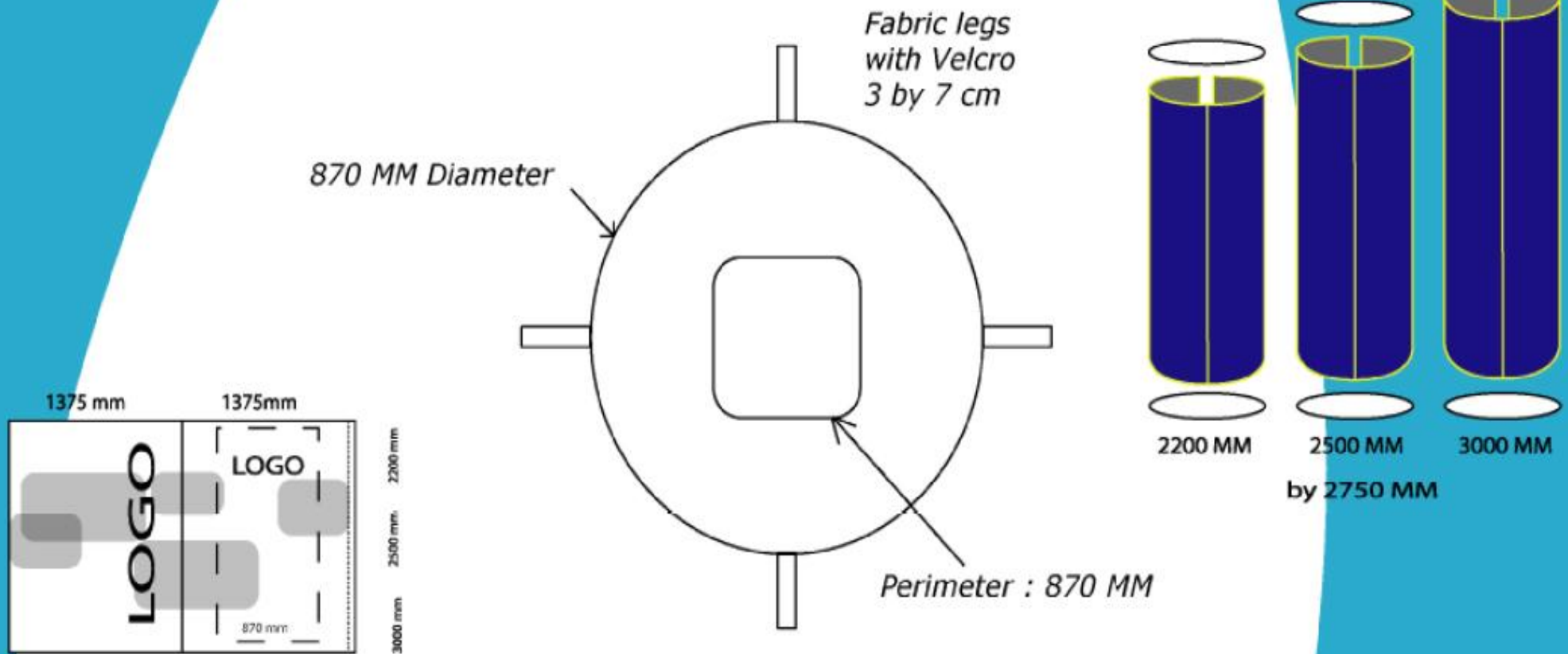


*Technical datas for your graphics tops and downs :*



The top is a round fabric piece of 870 MM diameter plus material to sew.  
The bottom is a round piece with four fabric arms with Velcro holed with a shape of 870 mm perimeter..